

BEIJING AEONMED CO., LTD. was founded in 2001. After years of development, it has become one of the top leading medical device companies in the world. Aeonmed's business includes OR and ICU products, household medical products, minimal invasive surgery products, environmental engineering and other new kinds of businesses.

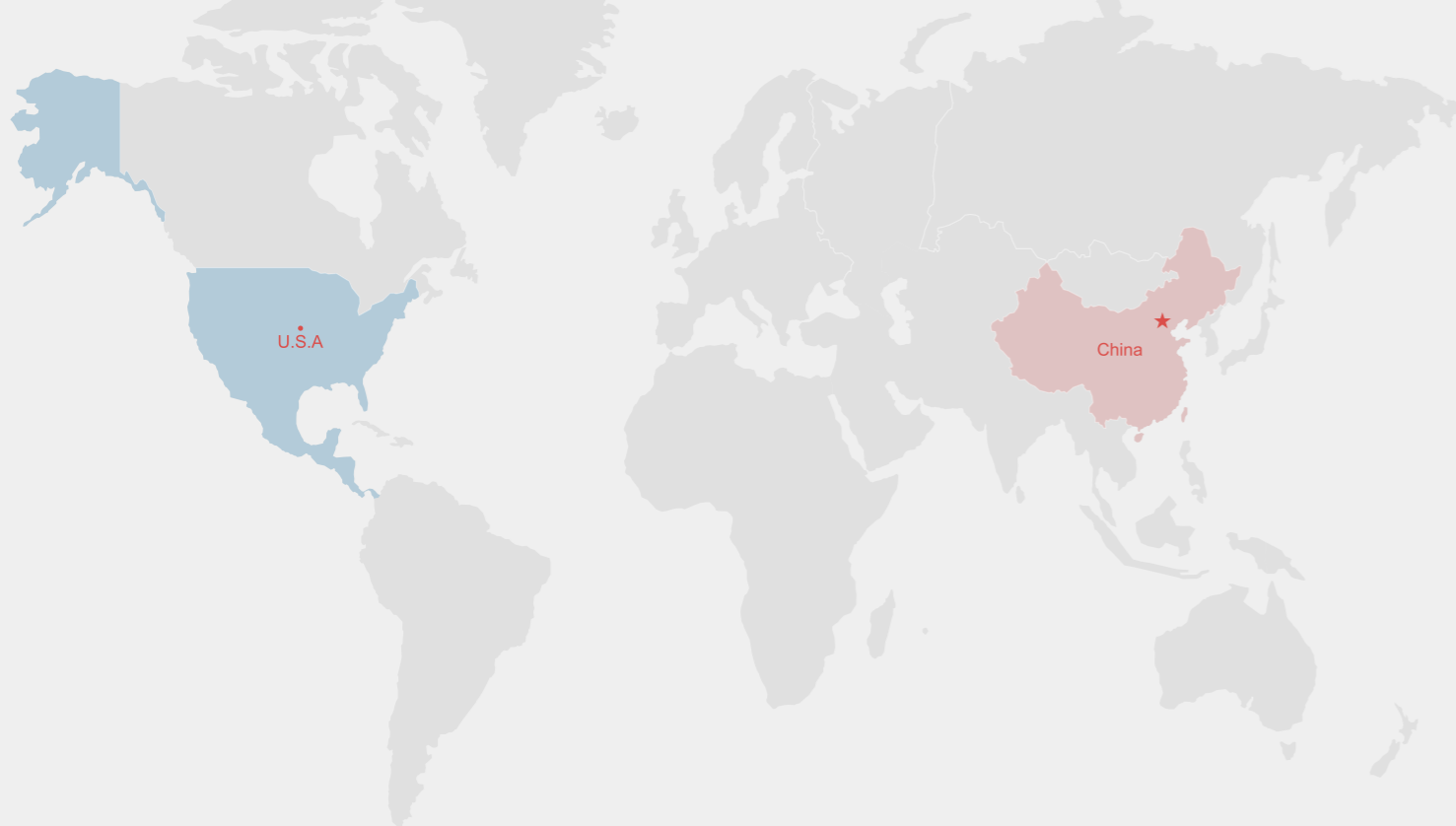
With its reliable quality and thoughtful service, Aeonmed anesthesia machines, ventilators and ceiling supply system have a large share in the domestic market. Till now, 61 models have received CE certificates and have been exported to more than 130 countries and regions. The Shangrila 510, one of the best sellers, was named the official emergency transport ventilator used at all Beijing Olympic venues in 2008. In addition, one anesthesia machine and one critical ventilator designed and manufactured by Aeonmed were respectively launched in the US market after FDA 510K filing in 2008 and in 2013.

Aeonmed has 3 R&D centers in Beijing, Shanghai as well as Pennsylvania in America. It also has branch companies in Germany and Indonesia. Innovation is always the corporate core competence of the company. By the end of 2016, Aeonmed had totally applied 1158 patents, among which are

747 invention patents. More than 30% of company employees are in R&D department. More than 10% of total sales income is invested into R&D every year.

For years, Aeonmed has been named as a State-Level Key High-Tech Enterprise, National High-Tech Enterprise, National Science and Technology Support Unit, National Torch Plan Unit, Beijing Biological and Pharmaceutical Industry Across the Development of G20 Scale Enterprise, Beijing Surgery and Critical Care System Engineering Technology Research Center, Beijing Municipal Enterprise Technology Center, Beijing Patent Demonstration Unit, "Lung Injury & Infection" Key Laboratory of Beijing, ZhongGuanCun National Independent Innovation Demonstration Area of Innovative Enterprise, ZhongGuanCun Intellectual Property Focused Business Model, as well as ZhongGuanCun Key Cultivated Enterprise. The products are awarded "National Key New Products", "Independent Innovation Products in Beijing" and so on.

"Reliable Quality and Thoughtful Service" is Aeonmed's promise to its clients. "Guard Life Sincerely" is Aeonmed's sacred mission. In face of future, Aeonmed's staff is full of innovative passion and dedication to a shared mission—to realize the vision of becoming a "Perioperative Period Expert".



**AEOMED**  
Reliable Quality Thoughtful Service

HQ: Building 9, No.26 Outer Ring West Road, Fengtai District, Beijing 100070, China  
Science Park: No. 10, Chaobai Street, Yanjiao Development Zone, Sanhe City, Hebei Province  
065201, China  
TEL: +86-10-5841 1198 FAX: +86-10-6371 8989  
Http: //www.aeonmed.com E-mail: marketing@aeonmed.com

The information contained in this leaflet is correct at the date of publication. The policy of Beijing Aeonmed Co., Ltd. is one of the continued improvement to its products. Because of this policy, Aeonmed reserves the right to make any change, which may affect the information in this leaflet without giving prior notices.  
ACP-1902



Pamirera 

Ceiling Supply System

CE 0123

**AEOMED**  
Reliable Quality Thoughtful Service

# Pamirera®



## Pamirera Ceiling Pendants and Supply Beams

Ever improved hygiene, integration of different types of medical devices and inter-connection via network are the common trends in modern hospitals. Aeonmed is committed to create new professional solutions for the operation room and ICU to enable hospitals to provide optimum care for their patients. Pamirera Ceiling Pendants and Supply Beams let patients feel comfortable and at the same time provide medical staff an ideal working environment with optimum efficiency, satisfying the equal important requirements of medical staff and patients to a modern hospital environment.

## Pamirera provides a highly efficient working environment

- Optimum supply system: application-specific design minimises distances between medical equipment and electric / gas supply
- Optimum room management: medical equipment placed on the pendants simplifies handling and frees valuable space
- Optimum cabling: improves patient safety by avoiding risks from chaotic cabling, provides an unobstructed hospital environment

## Technical Specifications

Pendant Technical Specifications								
	CP8300 series			CP8400 series			CP8500 series	ICU Pendant
Product Name	CP8301	CP8302	CP8303	CP8401	CP8402	CP8403	CP8501	CP8341
Drive type	Mechanical	Mechanical	Mechanical	Electric	Electric	Electric	Electric	Mechanical
Swiveling Range(Angle)	342	342	342	342	342	342	342	342
Vertical height adjustment(mm)					600	600	600	
Tray Load Capacity(kg)	80	80	80	80	80	80	80	80
Size of box(mm)	220X220	220X220	220X220	300X300	300X300	300X300	300X300	220X220

**All of the pendants have two arms. Parameter configuration can be flexibly customized according to needs**

Supply Beam Technical Specifications				
	CP6400 series		CP6500 series	
Product Name	CP6401	CP6402	CP6501	CP6502
The Length Of The Beam(kg)	3500	3500	3500	3500
Swiveling Range(Angle)	360	360	342	342
Horizontal Distance Adjustment(mm)	550	550	550	550
Tray Load Capacity(kg)	80	80	80	80
Braking System(standard)	Mechanical	Mechanical	Mechanical	Mechanical
Size of box(mm)	220X220	220X220	220X220	300X300

**CP8301: Two Arms Mechanical Surgical Pendant**

**CP8302: Two Arms Mechanical Endoscope Pendant**

**CP8303: Two Arms Mechanical Anesthesia Pendant**

**CP8401: Swing Two Arms Electric Surgical Pendant**

**CP8402: Swing Two Arms Electric Endoscope Pendant**

**CP8402: Swing Two Arms Electric Endoscope Pendant with Arm Monitoring System**

**CP8403: Swing Two Arms Electric Anesthesia Pendant**

**CP8501: Two Arms Electric Anesthesia Pendant**

**CP8341: Two Arms Mechanical Dry And Wet Separation Pendant (ICU)**

**CP6401: Standard Supply Beam (Dry area and wet area are separated.)**

**CP6402: Standard Supply Beam (Dry area and wet area are separated.)**

**CP6501: High-grade Supply Beam (Dry area and wet area are separated.)**

**CP6502: High-grade Supply Beam (Dry area and wet area are separated.)**





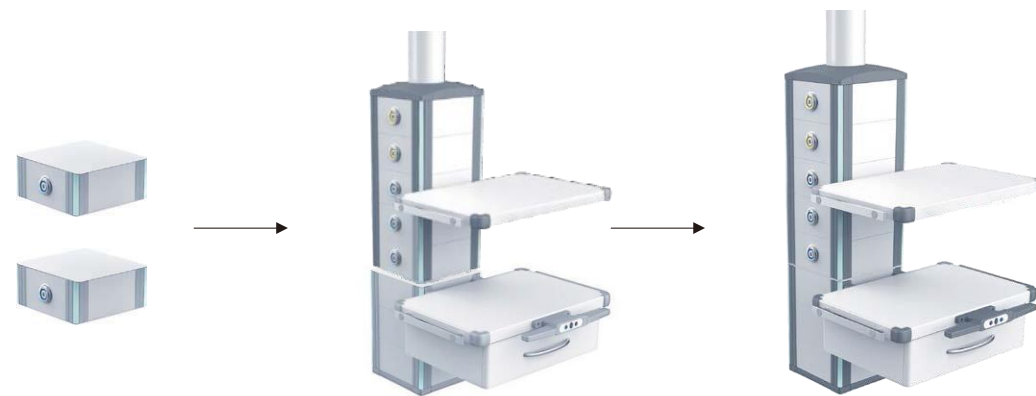
Passed the EU CE Certification  
Passed ISO9001/13485 International Quality System Certification

The main material is made of ultra-high strength aluminum alloy profiles. Imported brand antibacterial coating, Ensure the cleanliness of the operating room; Large bearing capacity, the maximum rated load up to 300kg

- Lifeline in the air  
High quality and stable/flexible and convenient/safe choice
- Excellent design  
The overall style is simple and lively, the workmanship is excellent, the appearance of elegant atmosphere In line with the hospital laminar flow purification requirements



**Main box modular design** The main box consists of two or three modules assembled together and can be rotated relative to meet the needs of different directions. In addition, the box module can be flexibly added on site and is convenient to operate, which not only facilitates the hospital to add new functions, but also provides expansion space for later software and hardware upgrade



**Operations specialists in OR and ICU** Aeonmed pendant can provide all-round work help for medical staff, thus improving the working efficiency of operating room, ICU, emergency room, examination room and other departments

**Technical high starting point** Established an international research and development team, the introduction of European technology, has won a number of domestic and international patents, research and development, production system and products have obtained the European CE certification

**Humanized Scheme Design** Products conform to ergonomics, simple operation, flexible and convenient, improve the efficiency of medical care





**Gas-electric modularization**

**A new generation of large load rotating shaft**

Brake marks correspond to each other to facilitate operation identification Built-in mechanical brake, optional air brake, electromagnetic brake Accurate positioning, avoid drift

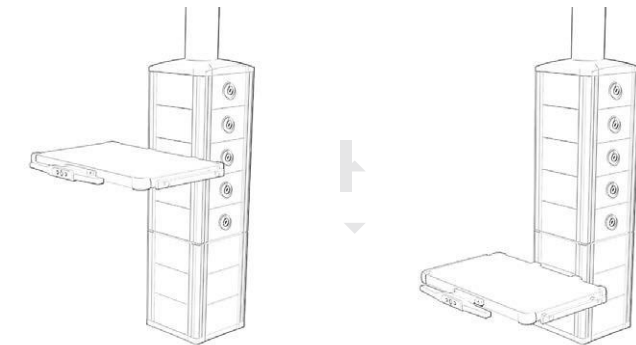


**Movable instrument platform**

The instrument platform can be moved up and down in a special guide rail



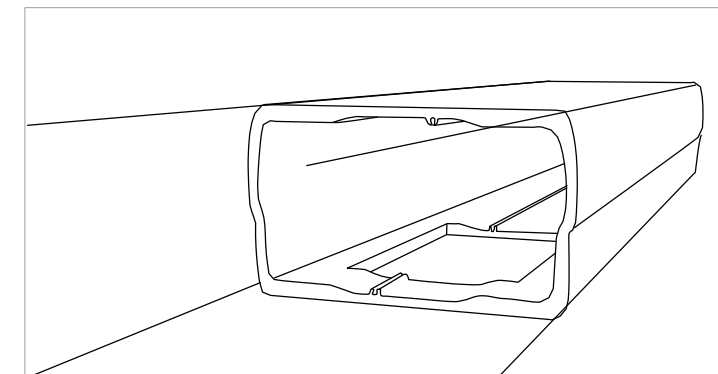
It can be upgraded to tool-free operation, easy and convenient



**Digital spiral arm**

With reserved space for information transformation, Support the layout of various cables in the operating room in the future

**70%** More space



# Pendant mode

## CP8300 Series



CP8301 Mechanical Surgery Pendant



CP8302 Mechanical Endoscopy Pendant



CP8303 Mechanical Anesthetic Pendant

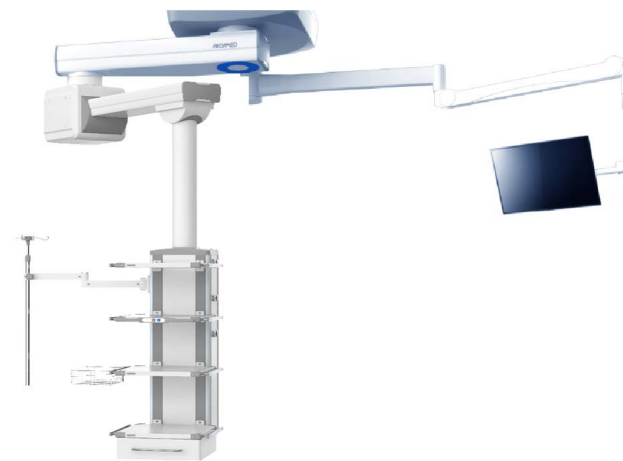
## CP8400 Series



CP8401 Electric Surgery Pendant



CP8402 Electric Endoscopy Pendant



CP8402 Electric Endoscope Pendant with Arm Monitoring System

## CP8500 Series



CP8501 Electric Anesthesia pendant

## CP8341 Dry wet depart Pendant (ICU single room, VIP room)



# Supply Beam

## CP6400 Supply Beam Series

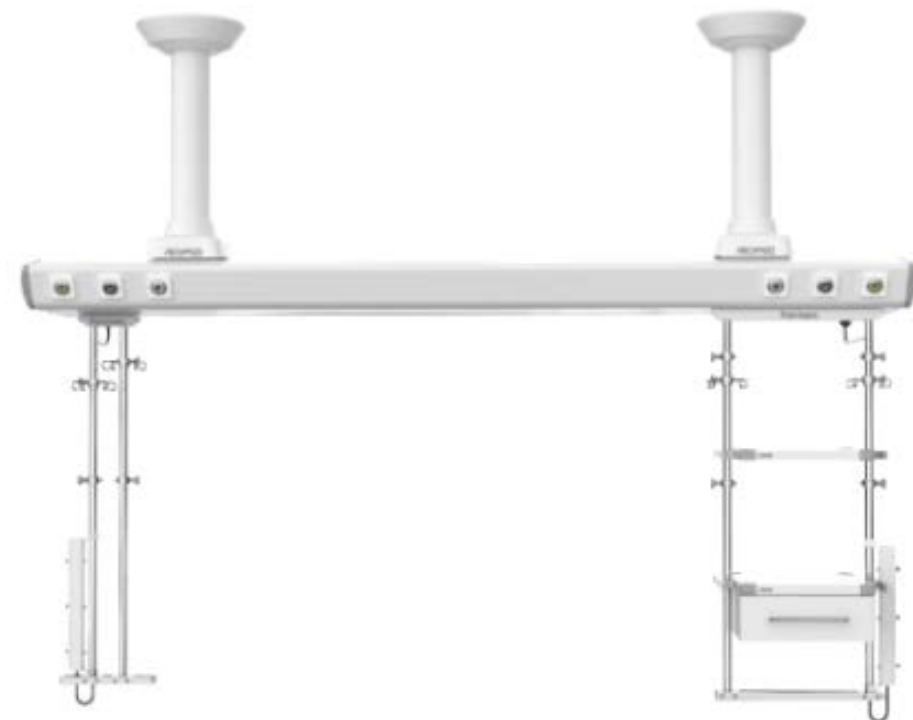


CP6401 Standard Supply Beam

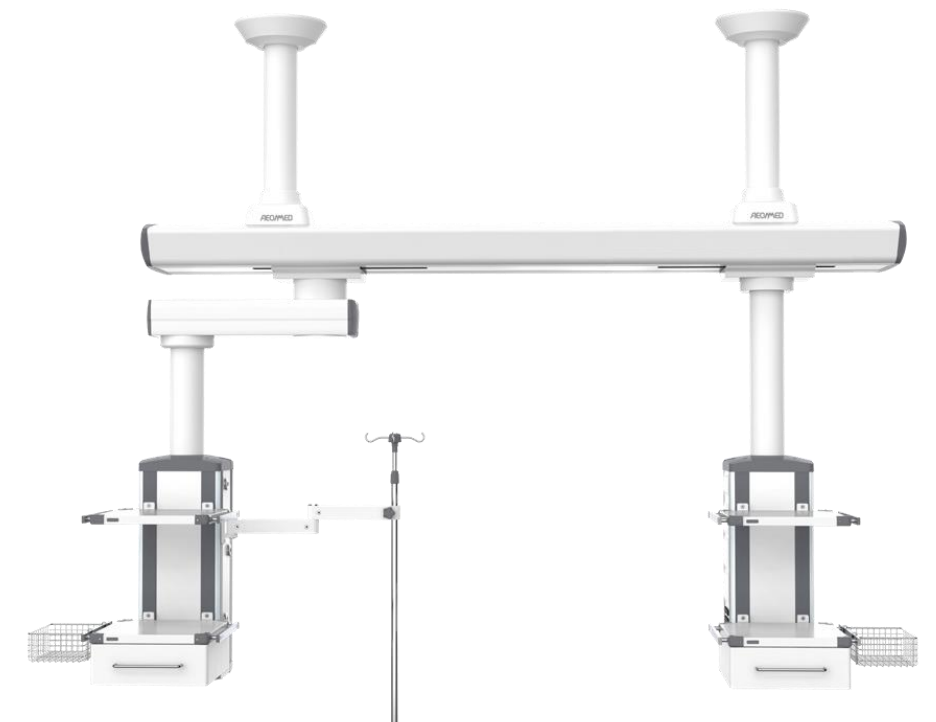
## CP6500 Supply Beam Series



CP6501 High-Grade Supply Beam



CP6402 Standard Supply Beam



CP6502 High-Grade Supply Beam